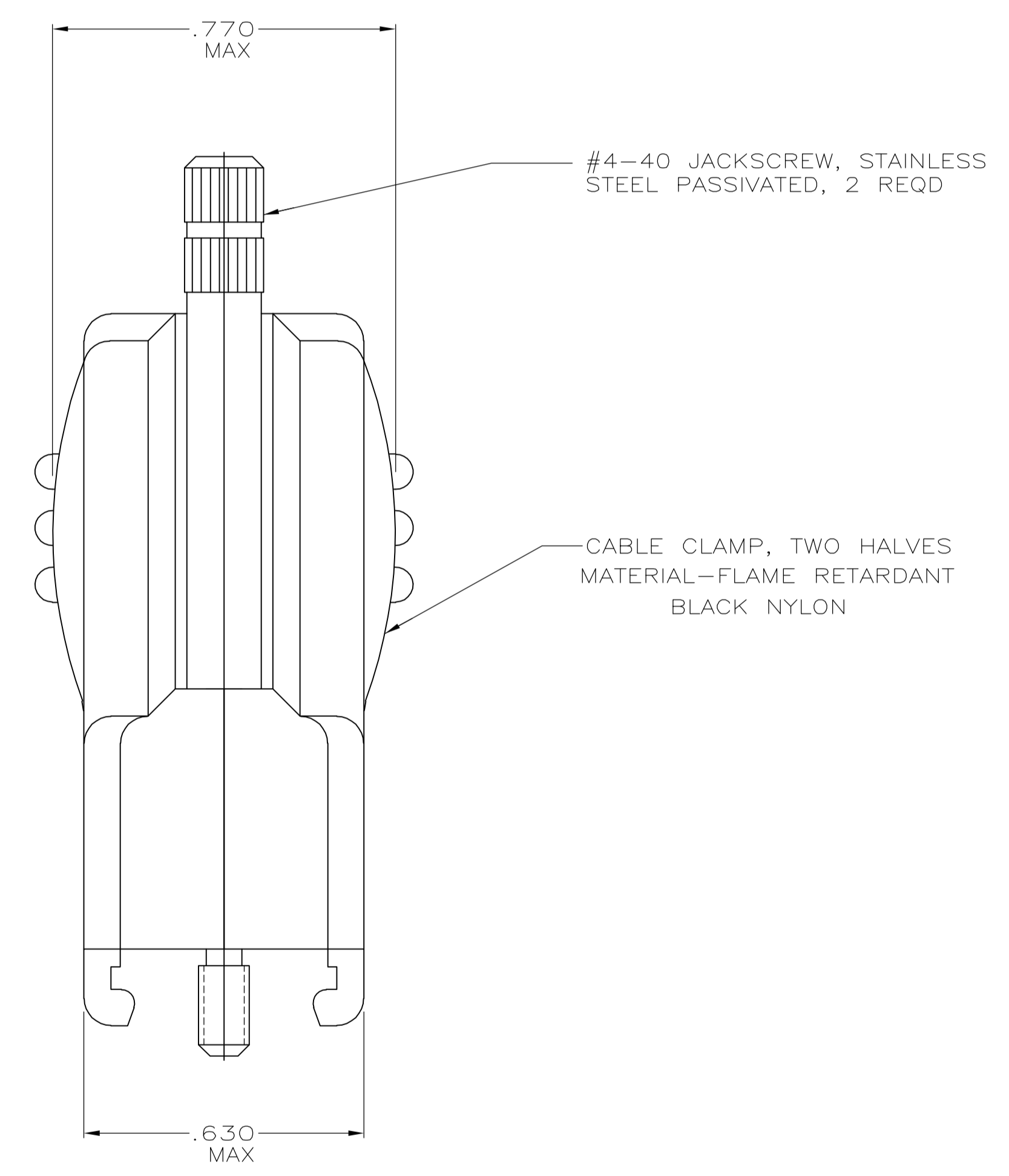
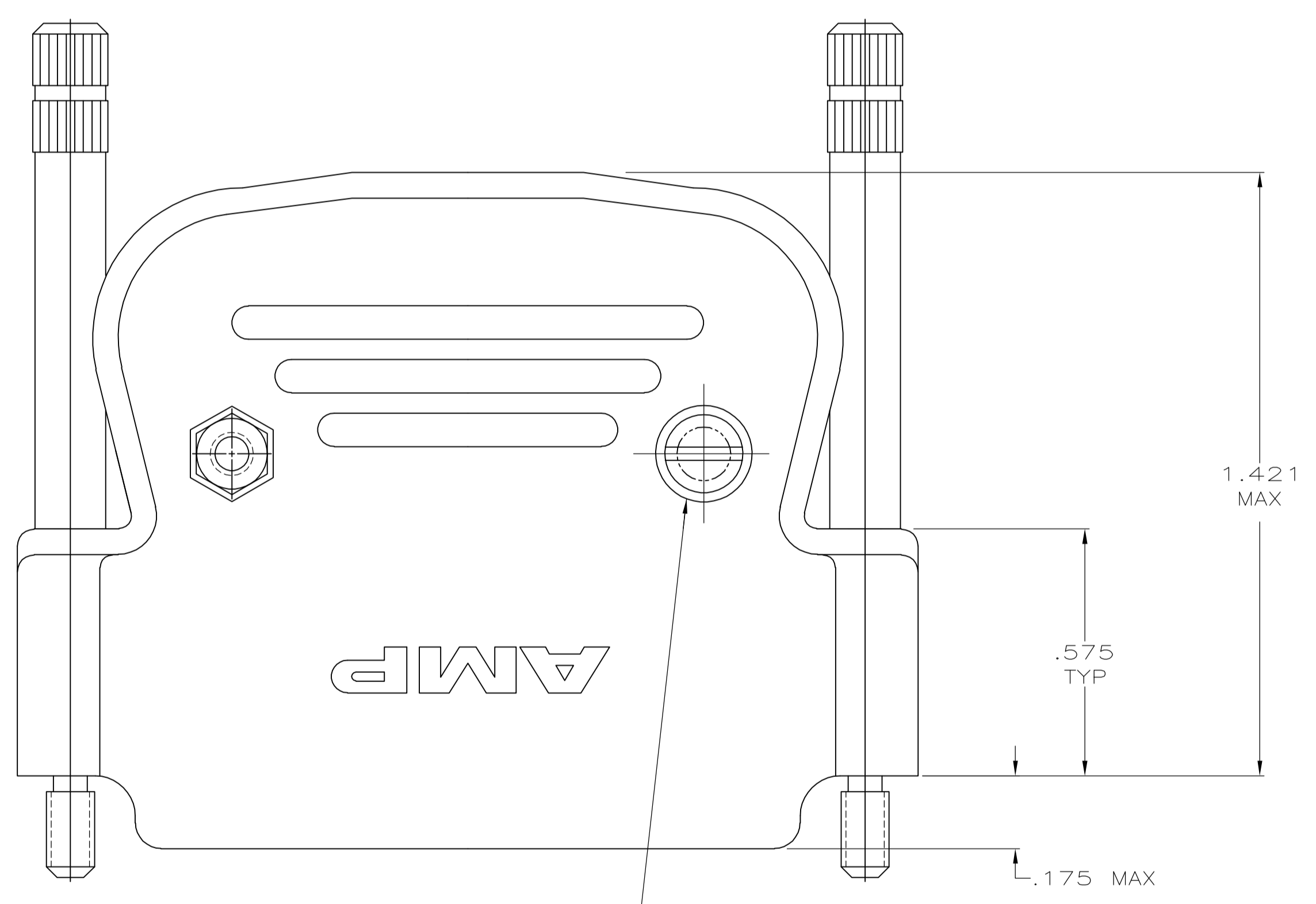


CABLE GATES



1. PARTS PACKAGED UNASSEMBLED.

5745121-2  
 PART NO.

THIS DRAWING IS A CONTROLLED DOCUMENT.		DWN R. RICHARDSON 14SEP05	14SEP05	Tyco Electronics Corporation Harrisburg, PA 17105-3608
DIMENSIONS: INCHES		CHK C. ROHDE 14SEP05	14SEP05	
TOLERANCES UNLESS OTHERWISE SPECIFIED:		APVD M. WALMSLEY 14SEP05		NAME STRAN RELIEF ASSEMBLY, SIZE 3, 25 POSITIONS, AMPLIMITE
0 PLC ± -	1 PLC ± -	PRODUCT SPEC		
2 PLC ± -	3 PLC ± .005	APPLICATION SPEC		
4 PLC ± -	ANGLES ± -	RESTRICTED TO		
MATERIAL SEE CALLOUTS	FINISH SEE CALLOUTS	WEIGHT	A1 00779	SIZE CAGE CODE DRAWING NO A1 00779 C=5745121
CUSTOMER DRAWING		SCALE	4:1	SHEET 1 OF 1 REV 0